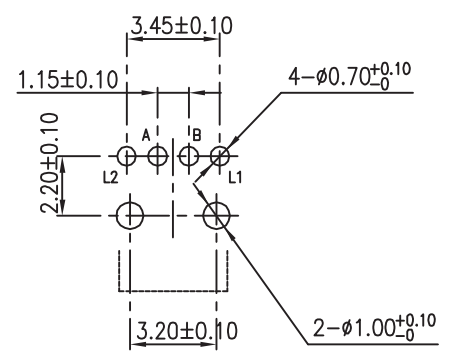
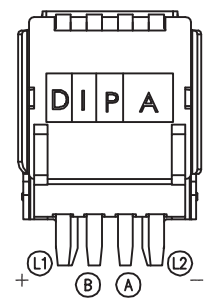
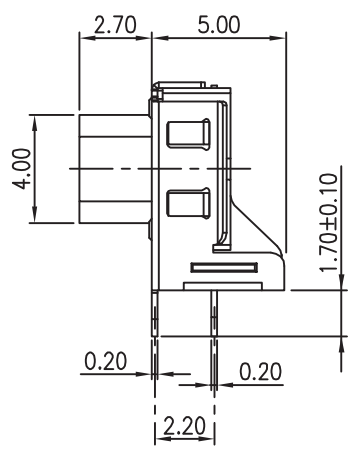
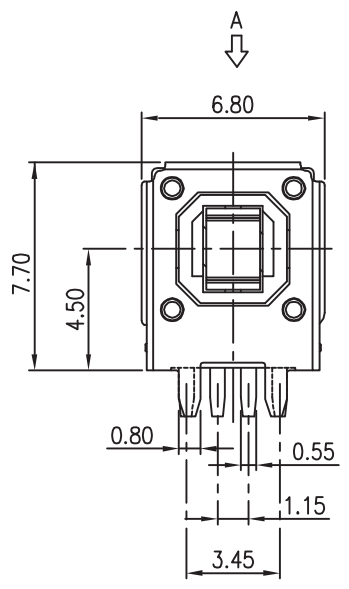


CIRCUIT



P.C.B. LAYOUT
(VIEW FROM THE DIRECTION A)



NOTE:
 1.All Dimensions Are In Millimeters.
 Bracketed Dimensions Are In Inches.
 2.General Tolerances $\pm 0.20\text{mm}$
 3.Mechanical:
 Operating Force(OF): $220\pm 50\text{ gf}$
 Operating Temperature: $-40^{\circ}\text{C}\sim 85^{\circ}\text{C}$
 Travel: $0.25\pm 0.10\text{ mm}$
 Life: 100,000 CYCLES
 4.Electrical:
 Switch Rating: 50 mA, 12V DC
 Contact Resistance: $100\text{ m}\Omega\text{ Max.}$
 Insulation Resistance: 500V DC, $100\text{ M}\Omega\text{ Min}$
 LED Operating Current: 20mA Max.

△			
△			
△			
△			
△			
SYM	DISCRIPTION	DATE	APPROVED

TACLEX		<i>TACLEX ELECTRONICS CO., LTD.</i>					
				TOLERANCES UNLESS OTHERWISE SPECIFIED LINEAR: ± 0.30 ANGULAR: $\pm 3^{\circ}$			
REVISIONS		SIGNATURES		DATE		TITLE	
A		 Alex		2008.11.05		TACT SWITCH ILLUMINATED	
		 Andy		2008.11.05		NO.	
		 Rex		2008.11.05		MLC系列	
		SCALE					
		5/1					