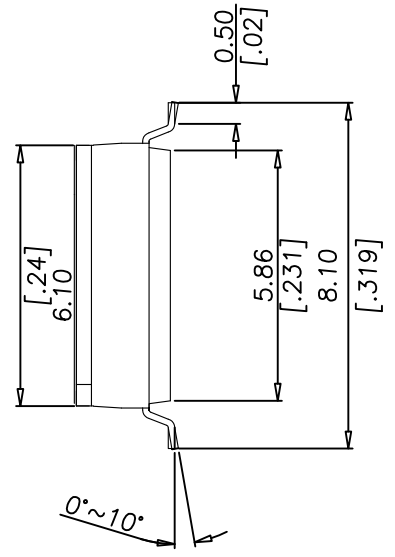
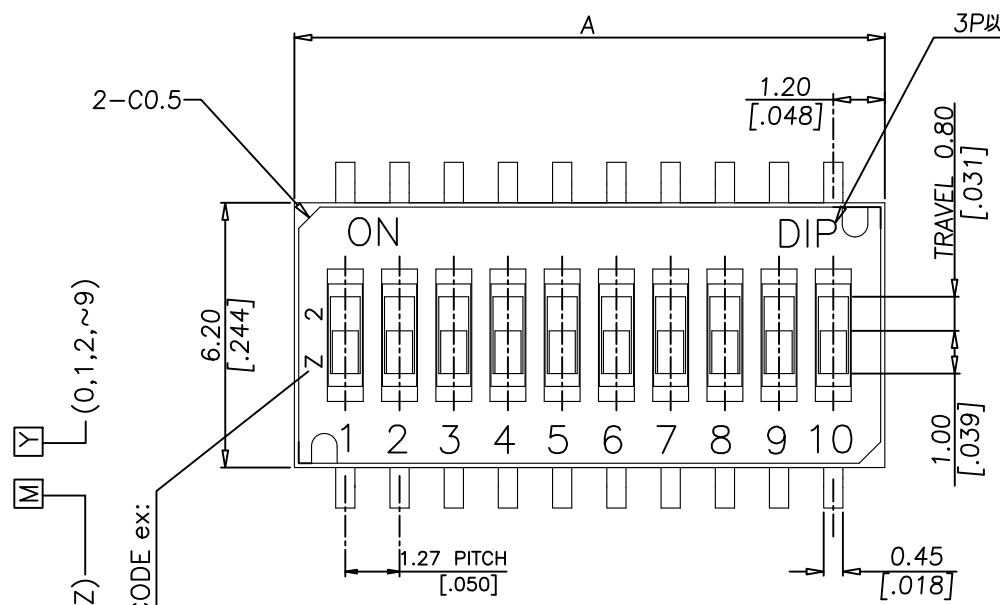
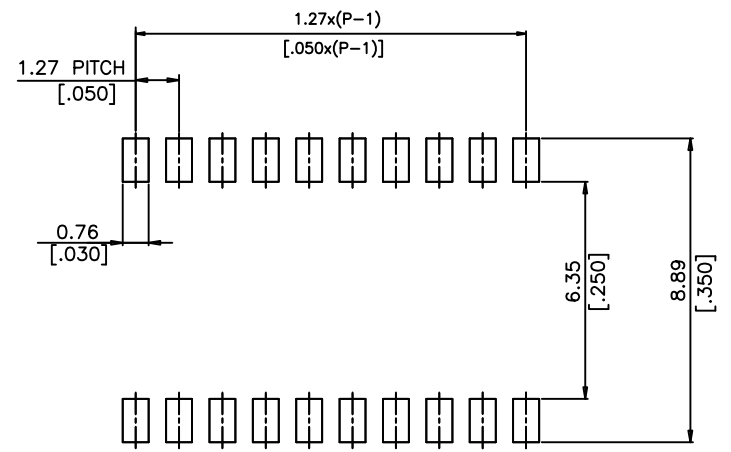
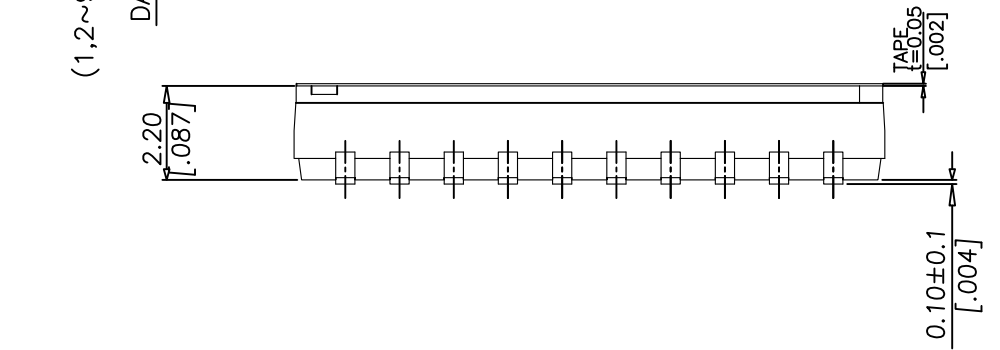


本公司智慧財產，未經同意不得複製
 Diptronics copyright,
 may not be used without permission from Diptronics.



DHA-10Q	10	13.83 [.544]
DHA-08Q	8	11.29 [.444]
DHA-06Q	6	8.75 [.344]
DHA-04Q	4	6.21 [.244]
DHA-02Q	2	3.67 [.144]
PROD.NO.	NO. OF POS	DIM A
SCHEMATIC(TYP.)		
 (2,4,6,8,10 POS AVAIL)		



NOTE:
 1. ALL DIMENSIONS ARE IN MILLIMETERS, BRACKETED DIMENSIONS.
 2. GENERAL TOLERANCES: ±0.20mm.

△			
△			
△			
△			
△			
SYM	DISCIPTION	DATE	APPROVED

TACLEX ELECTRONICS CO., LTD.				
TOLERANCES UNLESS OTHERWISE SPECIFIED LINEAR: ±0.30 ANGULAR: ±3°	SIGNATURES		DATE	TITLE
	DRAWN	Alex	2012.03.16	DIP SWITCH
	CHK'D	Andy	2012.03.16	
REVISIONS	SCALE	APPV'D	NO.	DHA-[] [] [] -Q
A	5/1	Joe	2012.03.16	