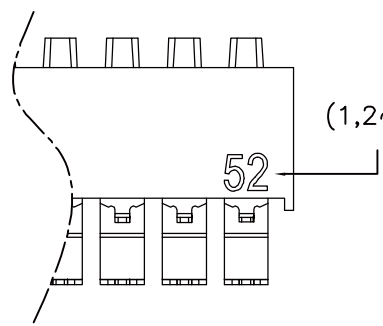
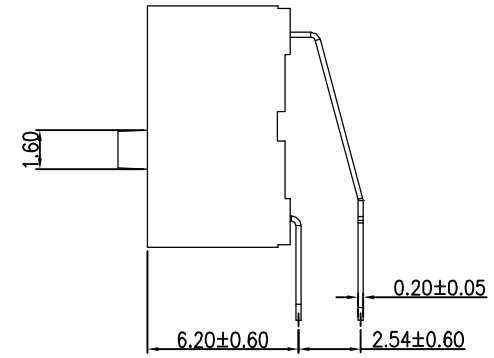
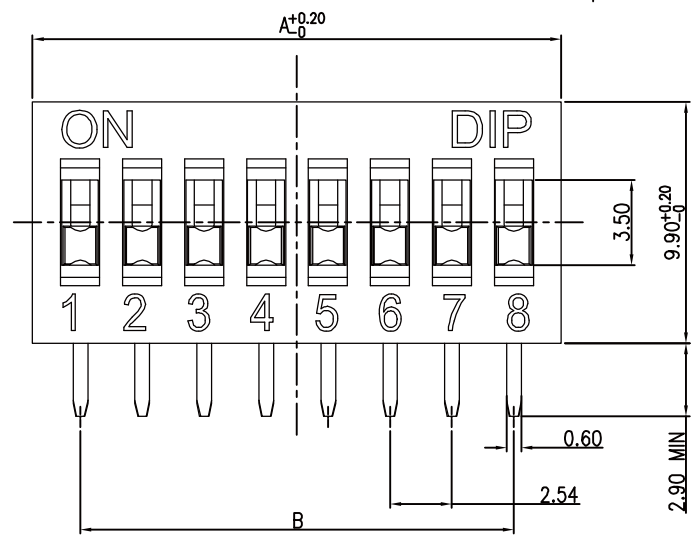
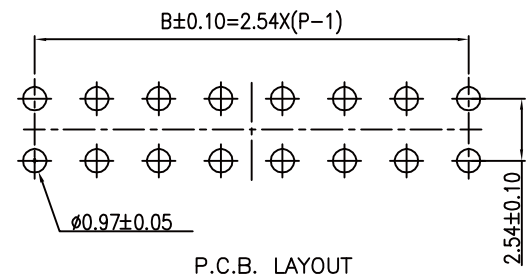
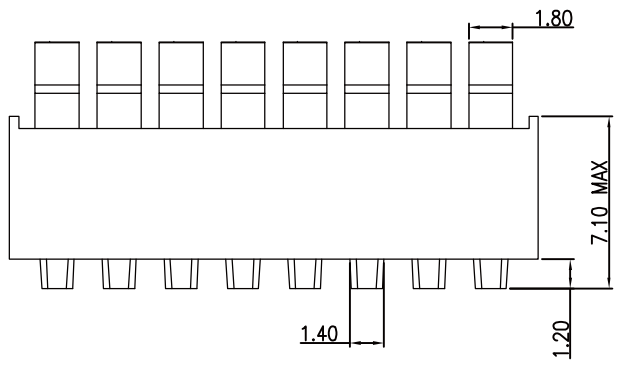
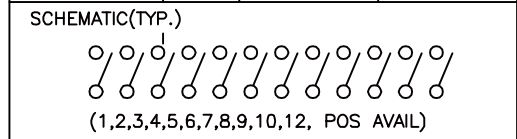


NOTE: 1. ALL DIMENSIONS ARE IN MILLIMETERS, BRACKETED DIMENSIONS ARE IN INCHES.
 2. GENERAL TOLERANCES: 10mm OVER - ±0.20mm.
 10mm BELOW - ±0.10mm.

本公司智慧財產，未經同意不得複製
 Diptronics copyright,
 may not be used without permission from Diptronics.

附表A

NDA-12_V	12	31.84[1.254]	27.94[1.100]
NDA-10_V	10	26.76[1.054]	22.86[.900]
NDA-09_V	9	24.22[.954]	20.32[.800]
NDA-08_V	8	21.68[.854]	17.78[.700]
NDA-07_V	7	19.14[.754]	15.24[.600]
NDA-06_V	6	16.60[.654]	12.70[.500]
NDA-05_V	5	14.06[.554]	10.16[.400]
NDA-04_V	4	11.52[.454]	7.62[.300]
NDA-03_V	3	8.98[.354]	5.08[.200]
NDA-02_V	2	6.44[.254]	2.54[.100]
PROD. NO.	NO. OF POS.	DIM. A	DIM. B



DATE CODE
 ex: (1,2~9,X,Y,Z) 0,1,2,~9

△			
△			
△			
△			
△			
SYM	DISCRIPTION	DATE	APPROVED

TACLEX TACLEX ELECTRONICS CO., LTD.

TOLERANCES UNLESS OTHERWISE SPECIFIED LINEAR: ±0.30 ANGULAR: ±3°	SIGNATURES		DATE	TITLE
	DRAWN	Alex	2015.09.16	DIP SWITCH
	CHK'D	Andy	2015.09.16	NO. NDA 系列
REVISIONS	SCALE	APPV'D		
A	5/1	Rex	2015.09.16	